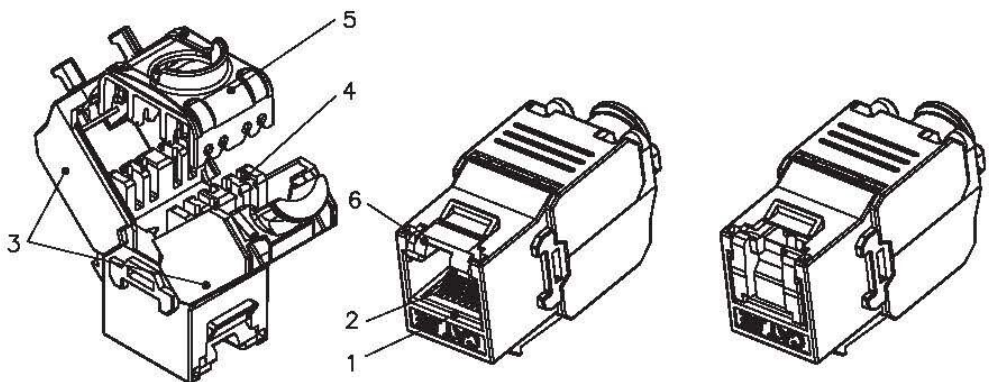


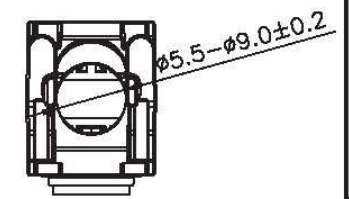
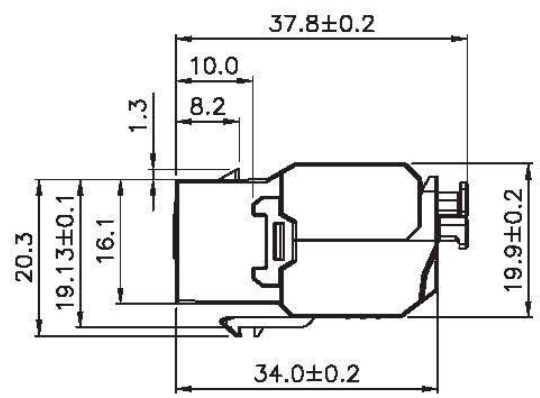
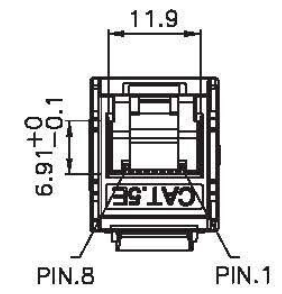
1 2 3 4 5 6

A



SCALE 1/1

B



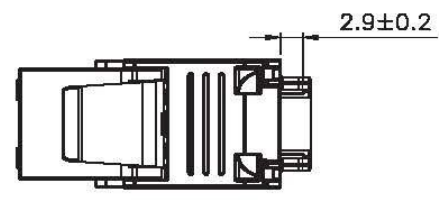
A

B

Specification :

- Material :
1. RJ45 Jack :
 - 1-1. Housing : ABS+PC, UL 94-V0, black color.
 - 1-2. Contact Bracket : PC, UL 94-V2, transparent color.
 2. RJ45 Jack Contact :
 - 2-1. Material : Phosphor bronze with nickel plated.
 - 2-2. Finish : 50 micro-inch gold plated on plug contact area.
 3. Cap A&B : ABS+PC, UL 94-V0, black color.
 4. IDC :
 - 4-1. Housing : PC, grey color(RAL7035), UL 94-V2.
 - 4-2. Terminal : Phosphor bronze with tin plated.
 5. Cap : PC, white color, UL 94-V2.
 6. Shutter : ABS+PC, UL 94-V0, white color.
 7. PCB : FR4, UL 94-V0.

- Performance :
- a. T568A & T568B wiring.
 - b. Insertion Force : 20N max. (IEC 60603-7-4).
 - c. Retention Strength : 7.7 kg between jack and plug.
 - d. Operating Temperature : -10°C to 60°C. (ISO/IEC 11801, ANSI/TIA 568 C.2).
 - e. Life(mating cycles) :
 - e-1. Jack : 750 cycles min. (ISO/IEC 11801, IEC 60603-7-4).
 - e-2. IDC : Suitable for 23-26 AWG stranded and solid wire.
 - f. The Cat.5E transmission performance is in compliance with the ANSI/TIA 568 C.2 standard.



Remark : AADBH01113040 XX
(1)
(1)XX : Housing color
01=black, 05=white

C

C

D

D

GENERAL TOLERANCE OF DIMENSIONS X.XXX ±0.005 X.XX ±0.05 X.X ±0.1	DRAWING	18.AUG.2018	LOVE		
	CHECK	18.AUG.2018	DAY		www.allconnectors.de Tel.: 0049 711 7009503 70754 Filocrostadt Germany
	APPROVAL	18.AUG.2018	FRANK	info@allconnectors.de Fax: 0049 711 7009504 Kottmerstr. 25	
		DATE	NAME	ITEM NO.: 3J01-A01-00043	
	SCALE	1/1 (A4)	UNIT	mm	DES.: CAT.5E UNSHIELDED KEYSTONE JACK
			DRAWING NO.	AADBH01113040XX	
			DRAWING CLASSIFICATION	S	SHEET 1 OF 1

1 2 3 4 5 6

10cm

